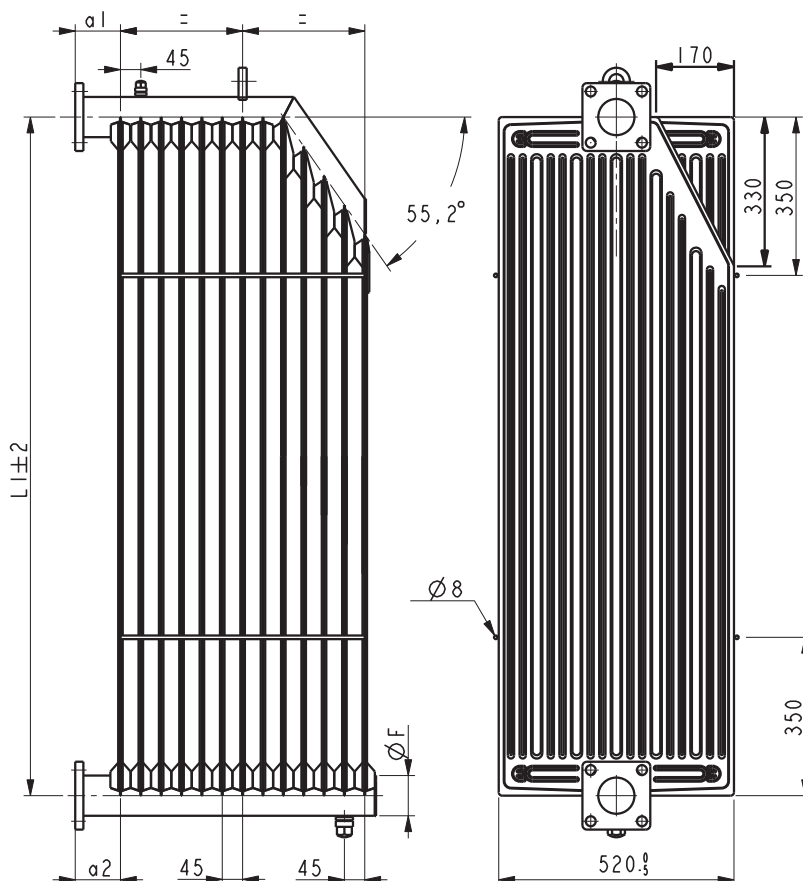
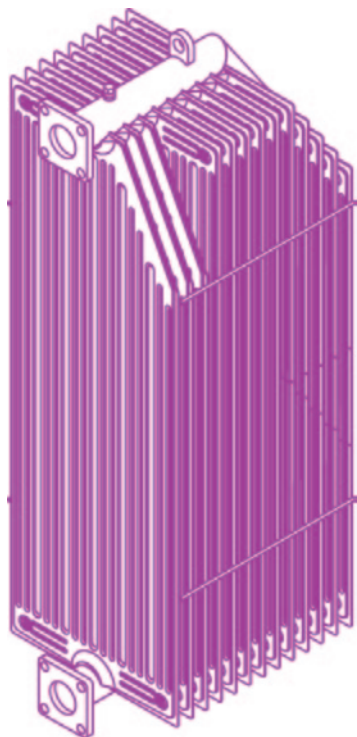


Europa radiator

EC FA 120

EC RA 120



SPECIFICITIES

- Centre distance: from 800 mm to 3 500 mm
- Number of panels: from 1 to 39
- Number of graduated sections: from 1 to 18
- Manifold: Ø 88.9 mm
- Sheet thickness: 1 mm or 1.2 mm
- Cut-off corners on left or right
- External coating: on request

TECHNICAL OPTIONS

Vertical branch connection

Horizontal branch connection

Manifold Ø 88.9 mm

Manifold Ø 108 mm

Sheet thickness 1 mm

Sheet thickness 1,2 mm

Cut-off corners on the right

Cut-off corners on the left

Double cut-off corners

Dilatable