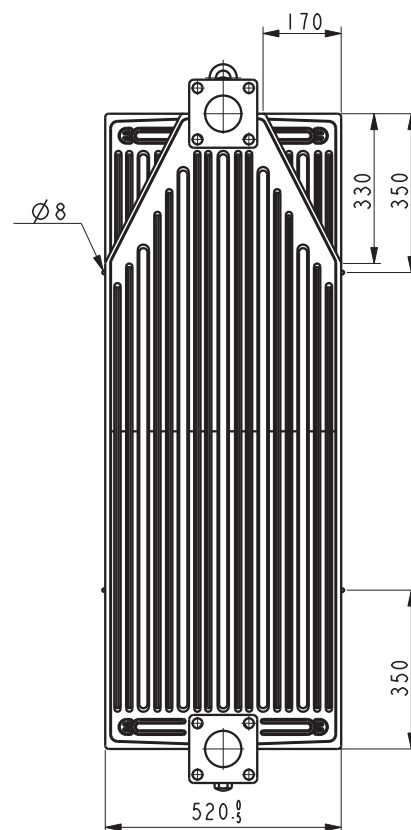
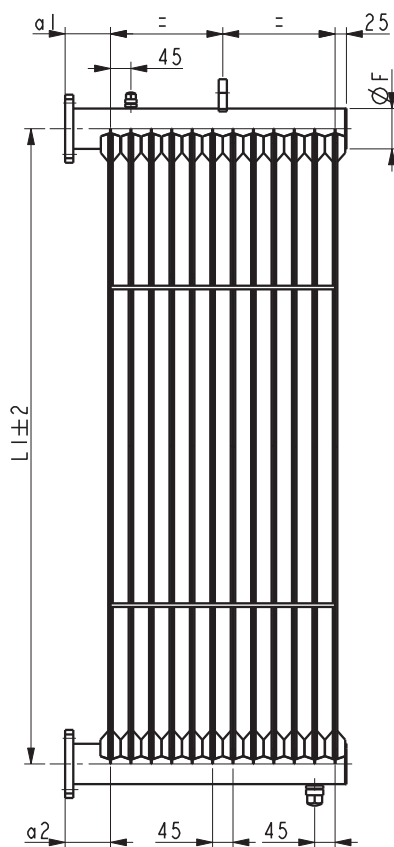


# Europa radiator

EC FG 130

EC RG 130



## SPECIFICITIES

- Centre distance: from 800 mm to 3 500 mm
- Number of panels: from 1 to 39
- Manifold: Ø 88.9 mm or Ø 108 mm
- Sheet thickness: 1 mm or 1.2 mm
- External coating: on request

## TECHNICAL OPTIONS

- |                              |   |
|------------------------------|---|
| Vertical branch connection   | <input type="checkbox"/> <input type="checkbox"/> |
| Horizontal branch connection | <input type="checkbox"/> <input type="checkbox"/> |
| Manifold Ø 88.9 mm           | <input type="checkbox"/> <input type="checkbox"/> |
| Manifold Ø 108 mm            | <input type="checkbox"/> <input type="checkbox"/> |
| Sheet thickness 1 mm         | <input type="checkbox"/> <input type="checkbox"/> |
| Sheet thickness 1,2 mm       | <input type="checkbox"/> <input type="checkbox"/> |
| Cut-off corners on the right | <input type="checkbox"/>                          |
| Cut-off corners on the left  | <input type="checkbox"/>                          |
| Double cut-off corners       | <input type="checkbox"/>                          |
| Dilatable                    | <input type="checkbox"/> <input type="checkbox"/> |