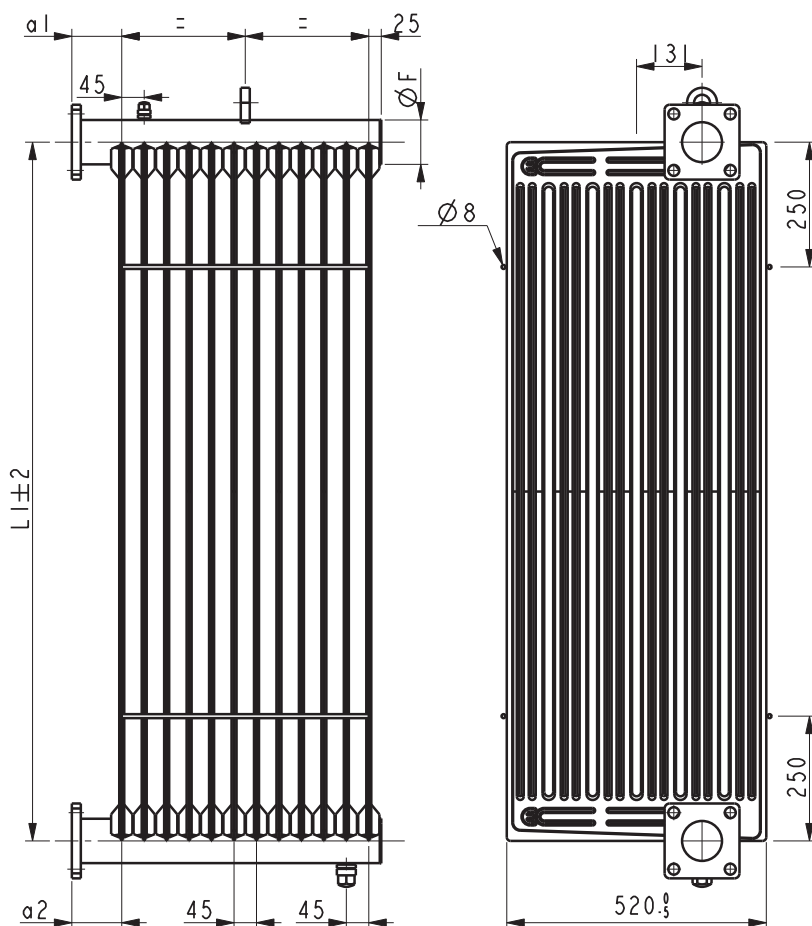
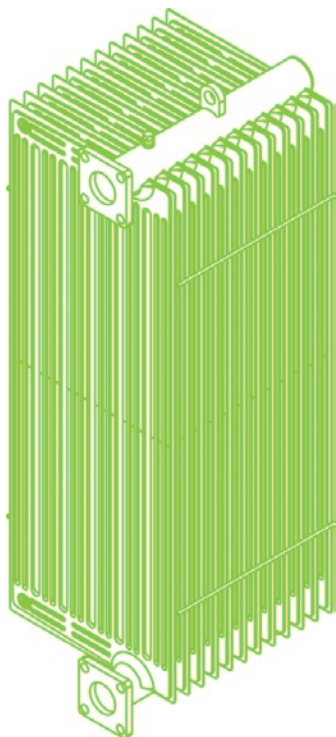


Europa radiator

EC FG 200

EC RG 200



SPECIFICITIES

- Centre distance: from 800 mm to 3 500 mm
- Number of panels: from 1 to 39
- Offset to the left or right
- Offset reversible or not
- Manifold: Ø 88.9 mm
- Sheet thickness: 1 mm or 1.2 mm
- External coating: on request

TECHNICAL OPTIONS

- | | |
|------------------------------|---|
| Vertical branch connection | <input type="checkbox"/> <input type="checkbox"/> |
| Horizontal branch connection | <input type="checkbox"/> <input type="checkbox"/> |
| Manifold Ø 88.9 mm | <input type="checkbox"/> <input type="checkbox"/> |
| Manifold Ø 108 mm | |
| Sheet thickness 1 mm | <input type="checkbox"/> <input type="checkbox"/> |
| Sheet thickness 1,2 mm | <input type="checkbox"/> <input type="checkbox"/> |
| Cut-off corners on the right | |
| Cut-off corners on the left | |
| Double cut-off corners | |
| Dilatable | <input type="checkbox"/> <input type="checkbox"/> |