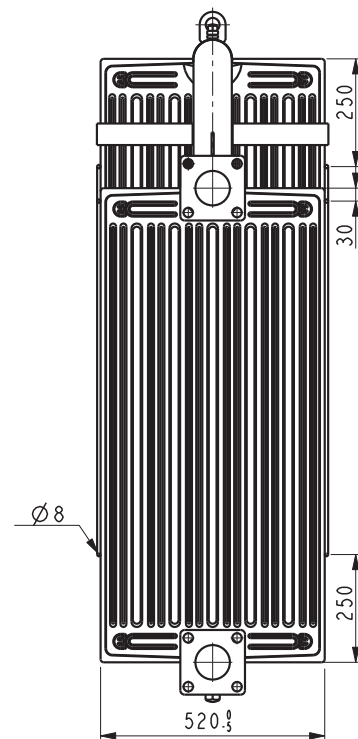
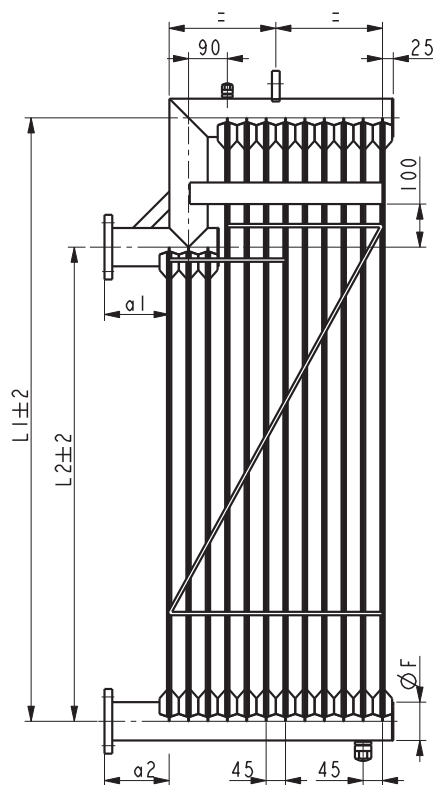
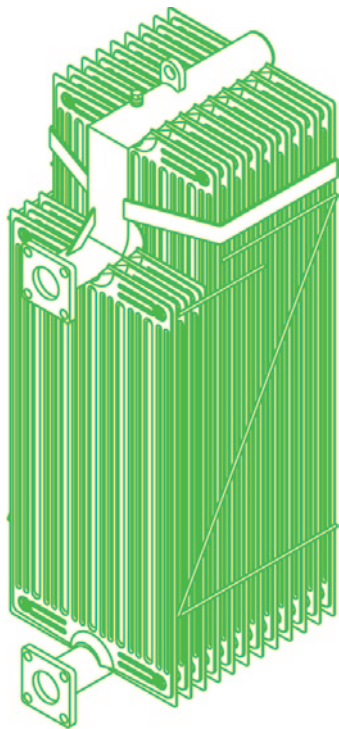


Europa radiator

EC FR 100

EC RR 100



SPECIFICITIES

- Centre distance: from 800 mm to 3 500 mm
- Number of panels: from 1 to 39
- Number of low panels: from 1 to 39
- Manifold: Ø 88.9 mm or Ø 108 mm
- Sheet thickness: 1 mm or 1.2 mm
- External coating: on request

TECHNICAL OPTIONS

Vertical branch connection	■ ■
Horizontal branch connection	■ ■
Manifold Ø 88.9 mm	■ ■
Manifold Ø 108 mm	■ ■
Sheet thickness 1 mm	■ ■
Sheet thickness 1,2 mm	■ ■
Cut-off corners on the right	■ ■
Cut-off corners on the left	■ ■
Double cut-off corners	■ ■
Dilatable	■ ■