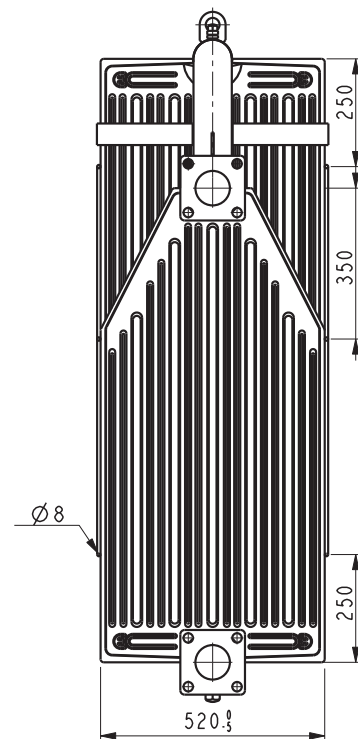
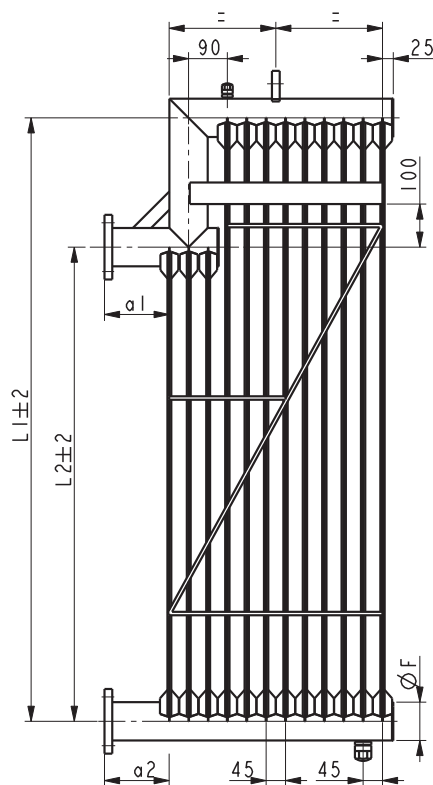
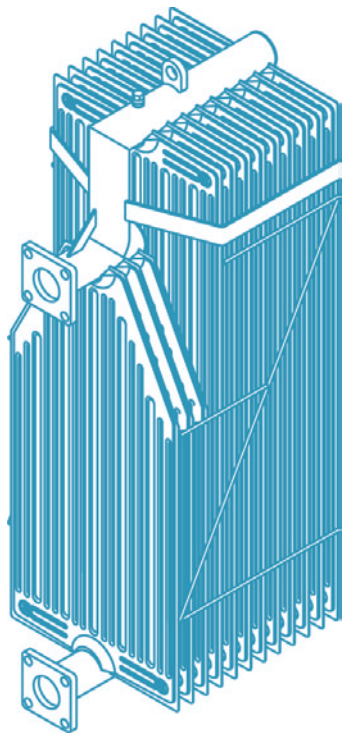


Europa radiator

EC FR 130

EC RR 130



SPECIFICITIES

- Centre distance: from 800 mm to 3 500 mm
- Number of panels: from 1 to 39
- Number of low panels: from 1 to 39
- Manifold: Ø 88.9 mm or Ø 108 mm
- Sheet thickness: 1 mm or 1.2 mm
- External coating: on request

TECHNICAL OPTIONS

- | | |
|------------------------------|-----|
| Vertical branch connection | ■ ■ |
| Horizontal branch connection | ■ ■ |
| Manifold Ø 88.9 mm | ■ ■ |
| Manifold Ø 108 mm | ■ ■ |
| Sheet thickness 1 mm | ■ ■ |
| Sheet thickness 1,2 mm | ■ ■ |
| Cut-off corners on the right | |
| Cut-off corners on the left | |
| Double cut-off corners | |
| Dilatable | ■ ■ |