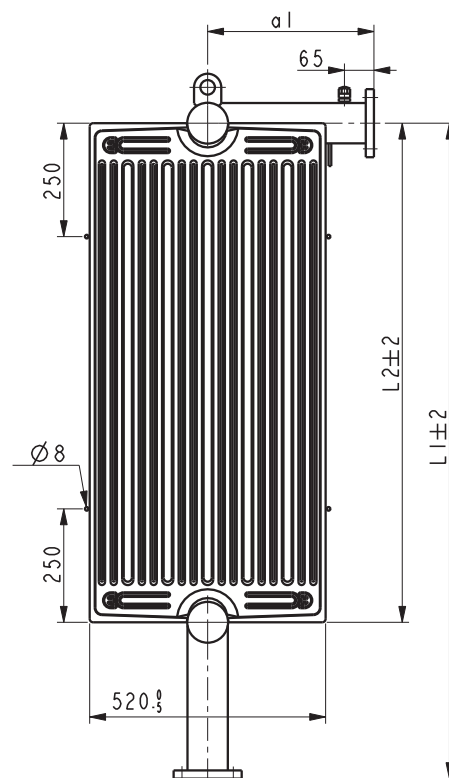
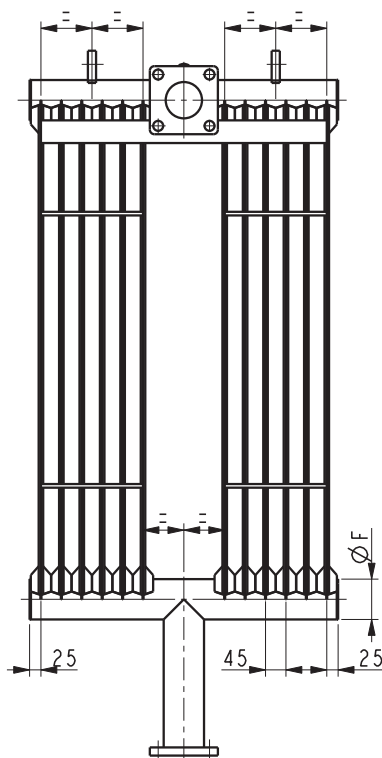
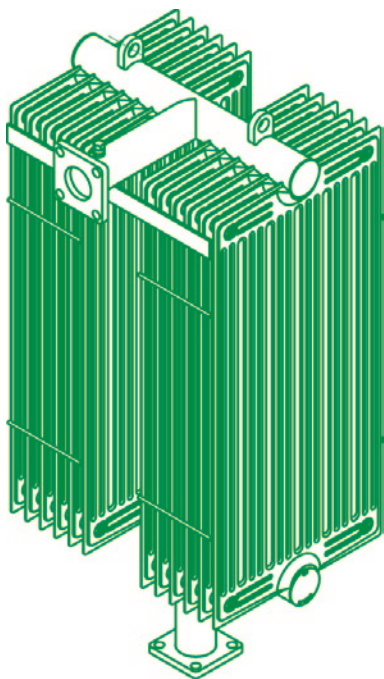


Europa radiator

EC FTT 110

EC RTT 110



SPECIFICITIES

- Centre distance: from 800 mm to 3 500 mm
- Number of panels: from 1 to 72
- Manifold: ϕ 88.9 mm or ϕ 108 mm
- Sheet thickness: 1 mm or 1.2 mm
- External coating: on request

TECHNICAL OPTIONS

Vertical branch connection

Horizontal branch connection

Manifold ϕ 88.9 mm

Manifold ϕ 108 mm

Sheet thickness 1 mm

Sheet thickness 1,2 mm

Cut-off corners on the right

Cut-off corners on the left

Double cut-off corners

Dilatable